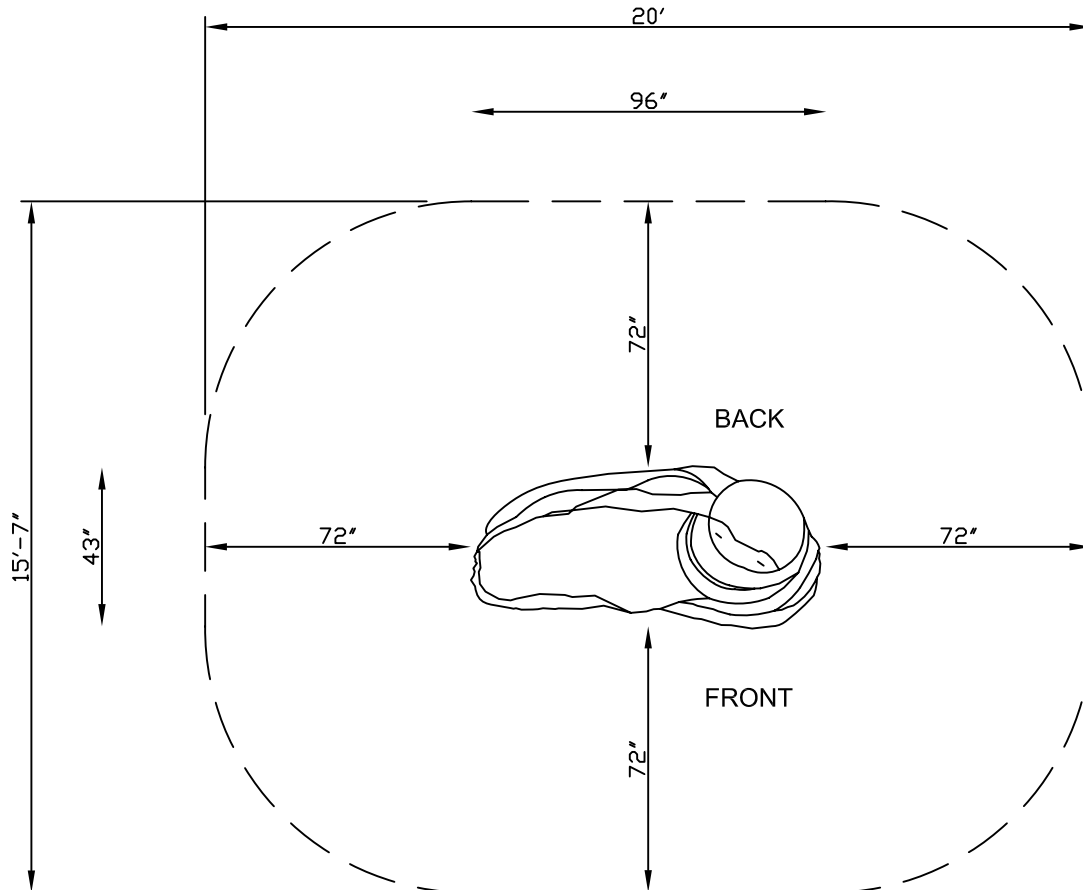




SPORT ROCK INTL.
PO Box 32
Pismo Beach, CA 93448
Phone: 805-481-5686
Fax: 805-489-6451
www.sportrockintl.com



JUNGLE ROCK OWL BENCH

3'-7" W x 8'-0" L x 3'-7" H

WT. 312 LBS.

TOP VIEW

MINIMUM AREA REQUIRED (USE ZONE)
15'-7" x 20'-0"

NOTES:

1. INSTALLATION TO BE COMPLETED IN ACCORDANCE WITH MANUFACTURER'S SPECIFICATIONS.
2. DO NOT SCALE DRAWINGS.
3. THIS PLAY AREA & EQUIPMENT IS DESIGNED FOR AGES 5 TO 12 YEARS.
4. ALL JUNGLE ROCKS MUST BE INSTALLED OVER RESILIENT "SAFETY" SURFACING APPROPRIATED TO THE SAFETY GUIDELINES OF YOUR CITY, COUNTY, STATE, OR COUNTRY.

JUNGLE ROCK
OWL BENCH