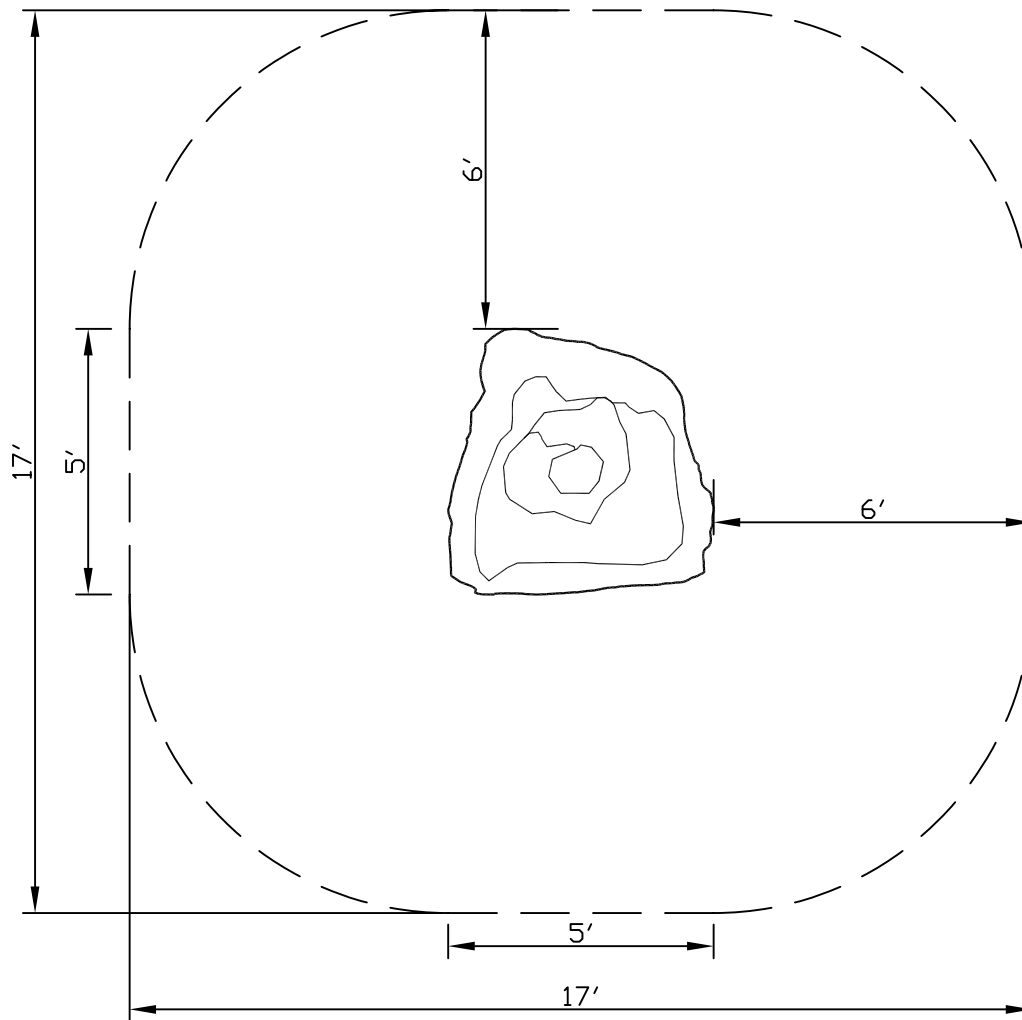




SPORT ROCK INTL.
PO Box 32
Pismo Beach, CA 93448
Phone: 805-481-5686
Fax: 805-489-6451
www.sportrockintl.com



MINIMUM AREA REQUIRED
17' X 17'

CASCADE #3
WT. 300 LBS.
TOP VIEW

NOTES:

1. INSTALLATION TO BE COMPLETED IN ACCORDANCE WITH MANUFACTURER'S SPECIFICATIONS.
2. DO NOT SCALE DRAWINGS.
3. THIS PLAY AREA & EQUIPMENT IS DESIGNED FOR AGES 2 TO 5 YEARS.
4. ALL PARK PETS & BOULDERS MUST BE INSTALLED OVER RESILIENT "SAFETY" SURFACING APPROPRIATED TO THE SAFETY GUIDELINES OF YOUR CITY, COUNTY, STATE, OR COUNTRY.

Boulders
CASCADE #3